

MANUALLY-OPERATED 3-WAY & 4-WAY VALVES



Rotary Valves



Rotary Valves are 4-way valves with 1/4" NPT ports. They are manually-operated 3-position closed center valves.

Operating Pressure: 0 to 150 psig

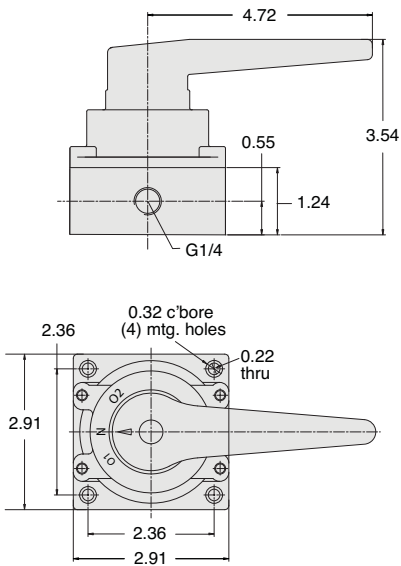
Ports: 1/4" NPT

Cv: 1.68

Mounting: Base mount

Operating Temperature: 32 to 140°F

Part No.	Description
MMV-R4QN-C	4-Way, 3-Position Non-Detented Rotary Valve
MMV-R4QD-C	4-Way, 3-Position Detented Rotary Valve



Foot Pedal Valves



Foot Pedal Valves are 3-way or 4-way valves with 1/4" NPT ports. Two versions are offered; either a low-profile flat pedal or standard pedal with or without guard.

Operating Pressure: 0 to 150 psig

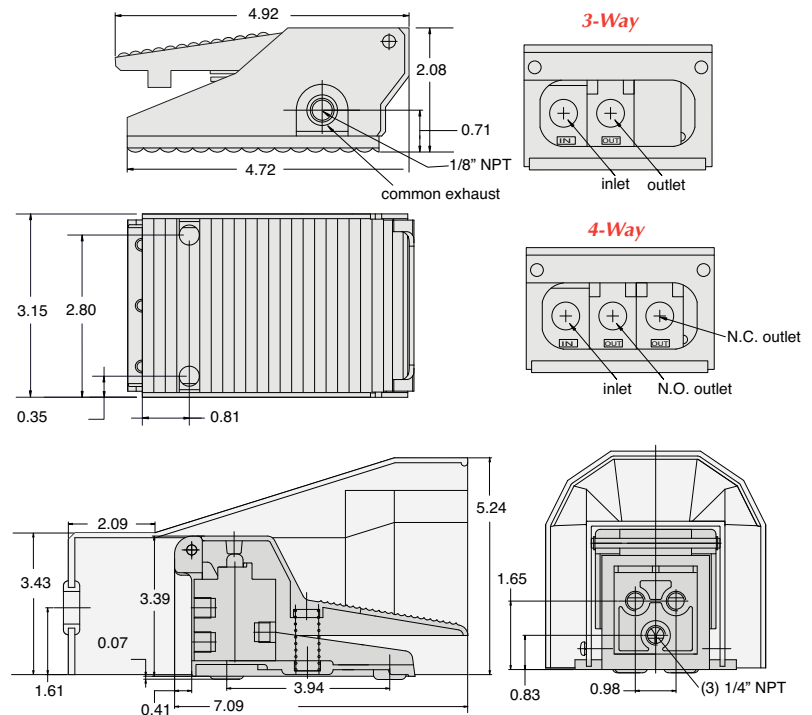
Cv: 1.4

Ports: 1/4" NPT

Mounting: Base mount

Operating Temperature: 32 to 140°F

Part No.	Description
MMV-F3QM-F	3-Way Valve with Flat Pedal
MMV-F4QM-F	4-Way Valve with Flat Pedal
MMV-F4QM	4-Way Valve with Standard Pedal
MMV-F4QM-G	4-Way Valve with Plastic Foot Guard



Metric line available. Visit www.clippard.com